

CANDIDATE
NAME

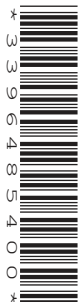
| |
|--|
| |
|--|

CENTRE
NUMBER

| | | | | |
|--|--|--|--|--|
| | | | | |
|--|--|--|--|--|

CANDIDATE
NUMBER

| | | | |
|--|--|--|--|
| | | | |
|--|--|--|--|



GEOGRAPHY

0976/12

Paper 1

May/June 2019

1 hour 45 minutes

Candidates answer on the Question Paper.

Additional Materials: Ruler
 Calculator

READ THESE INSTRUCTIONS FIRST

Write your centre number, candidate number and name in the spaces provided.

Write in dark blue or black pen.

You may use an HB pencil for any diagrams or graphs.

Do not use staples, paper clips, glue or correction fluid.

DO **NOT** WRITE IN ANY BARCODES.

Write your answer to each question in the space provided.

If additional space is required, you should use the lined pages at the end of this booklet. The question number(s) must be clearly shown.

Answer **three** questions, **one** from each section.

The Insert contains Figs. 3.1 and 3.2 for Question 3, Fig. 4.1 for Question 4, Figs. 5.2 and 5.3 for Question 5, and Fig. 6.1 for Question 6.

The Insert is **not** required by the Examiner.

Sketch maps and diagrams should be drawn whenever they serve to illustrate an answer.

At the end of the examination, fasten all your work securely together.

The number of marks is given in brackets [] at the end of each question or part question.

Definitions

MEDCs – More Economically Developed Countries

LEDCs – Less Economically Developed Countries

This document consists of **27** printed pages, **1** blank page and **1** Insert.

Section A

Answer **one** question from this section.

1 (a) Study Fig. 1.1, which shows information about population growth in the UK.

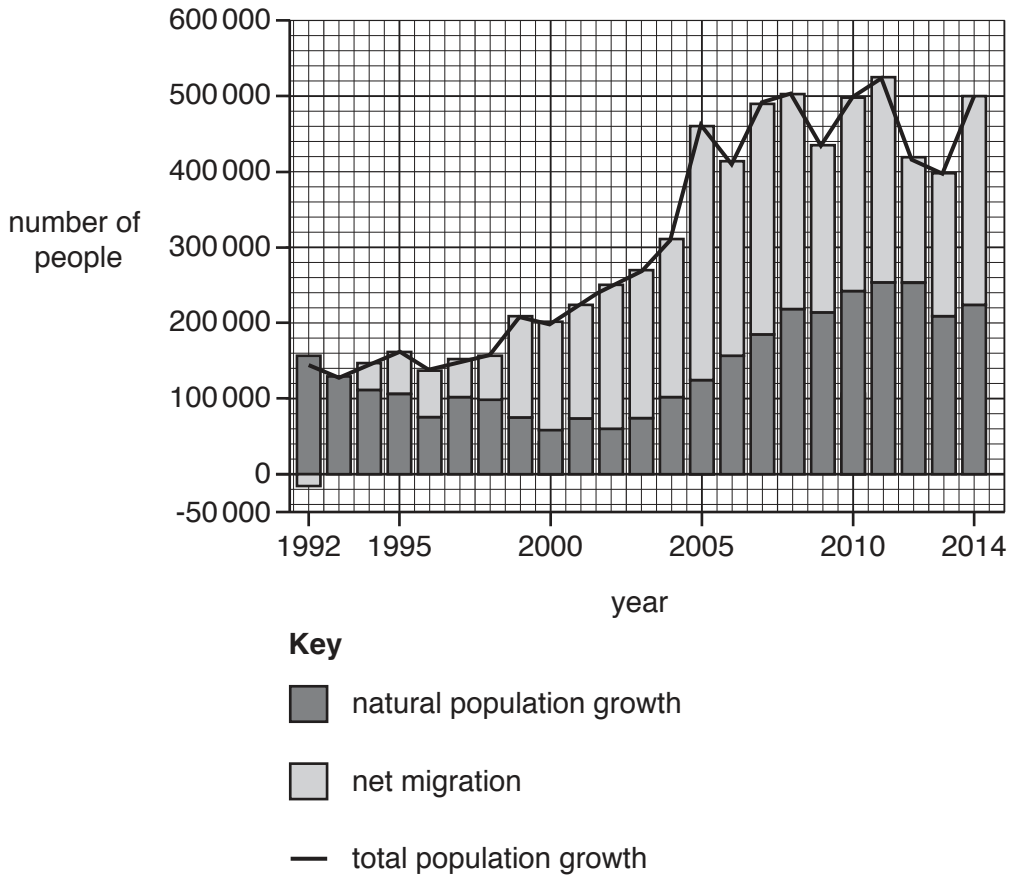


Fig. 1.1

(i) What was the total population growth in the UK in 2014?

.....

[1]

(ii) What is meant by the following terms:

– natural population growth

.....

– net migration?

.....
 [2]

2 (a) Study Fig. 2.1, which shows information about a settlement hierarchy.

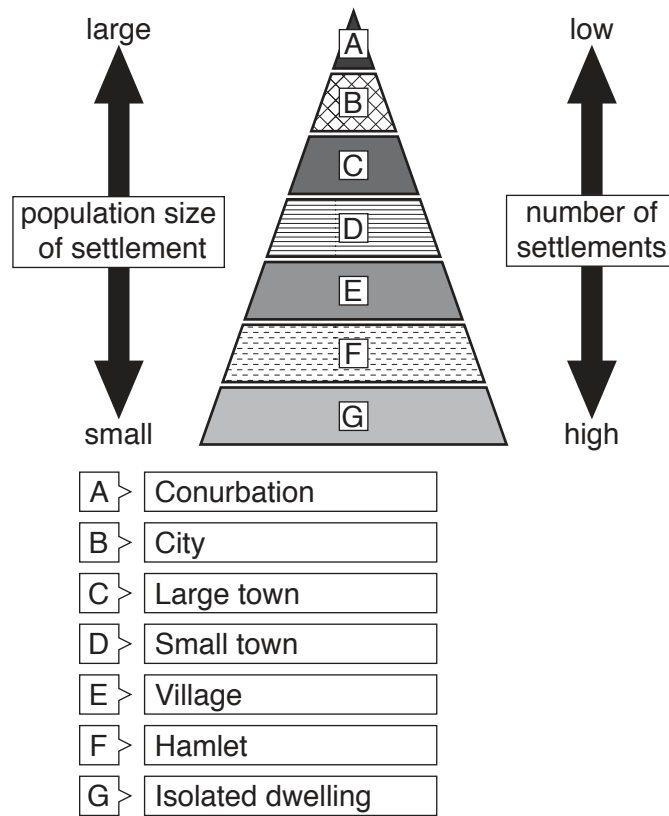


Fig. 2.1

(i) Tick the **one** statement which best describes a settlement hierarchy.

| | |
|---|-----------|
| | Tick ✓ |
| An area with large numbers of shops and services | |
| A method of arranging settlements based on the size of their population | |
| A diagram to show service provision in the settlements in an area | |
| The area served by a settlement and its services | |

[1]

(ii) Using evidence from Fig. 2.1 **only**, describe the relationship between population size and number of settlements. Give examples of settlement types from Fig. 2.1 in your answer.

.....

.....

.....

.....[2]

(iii) Give **three** examples of high order services which are likely to be located in large cities, such as capital cities.

1

2

3[3]

(iv) Explain why large cities, such as capital cities, have many high order services.

.....
.....
.....
.....
.....
.....
.....
.....
.....
.....
.....[4]

Section B

Answer **one** question from this section.

3 (a) Study Fig. 3.1 (Insert), which is a photograph of a river feature.

(i) Identify the type of river feature shown on Fig. 3.1.

Choose from the words below:

confluence meander mouth source

..... [1]

(ii) Describe **two** characteristics of the rivers shown on Fig. 3.1.

1

.....

2

..... [2]

(iii) Explain why erosion is likely to be the main process in the rivers shown in Fig. 3.1.

.....

.....

.....

.....

.....

..... [3]

(iv) Suggest how the river **and** its valley will change further downstream from the area shown in Fig. 3.1.

.....

.....

.....

.....

.....

.....

.....

..... [4]

(b) Study Fig. 3.2 (Insert), which is a photograph of a waterfall.

(i) Describe **three** features of the waterfall shown in Fig. 3.2.

1

.....

2

.....

3

..... [3]

(ii) Explain how a waterfall is formed on a river. You may use a labelled diagram or diagrams.

.....

.....

.....

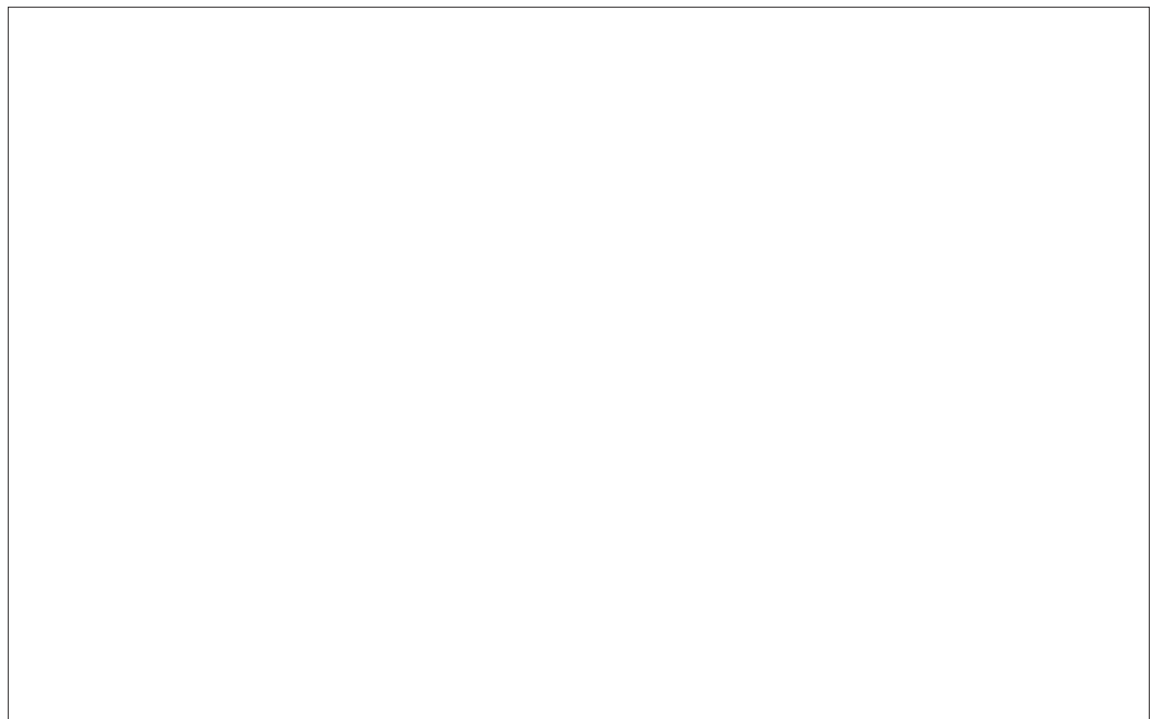
.....

.....

.....

.....

.....



[5]

4 (a) Study Fig. 4.1 (Insert), which is a map which shows the Pacific Ring of Fire.

(i) Explain why the shaded area is known as the Pacific *Ring of Fire*.

.....
.....[1]

(ii) Compare the location of Mauna Loa and Ruapehu volcanoes.

.....
.....
.....
.....[2]

(iii) Explain why there are active volcanoes on converging plate boundaries.

.....
.....
.....
.....
.....
.....[3]

Section C

Answer **one** question from this section.

- 5 (a) Study Fig. 5.1, which shows two traditional methods of irrigation used by subsistence farmers.

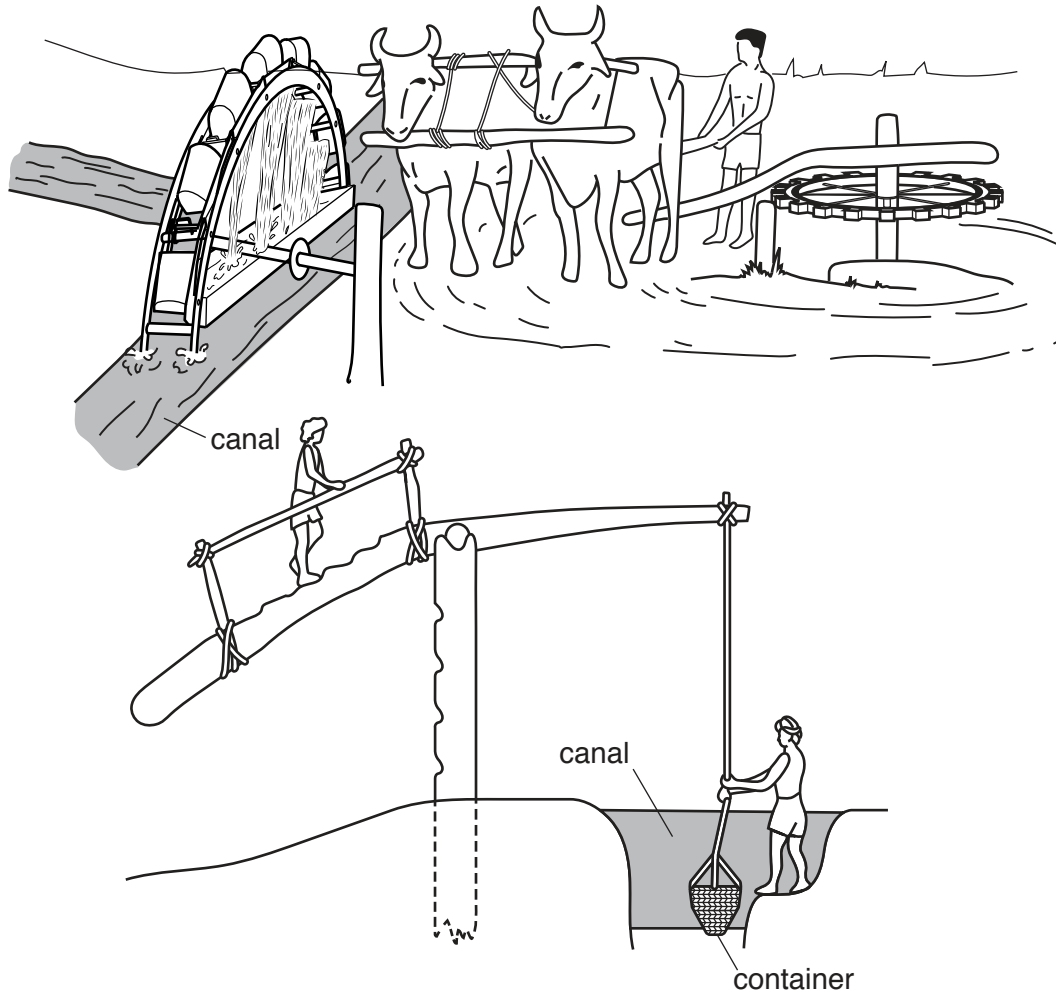


Fig. 5.1

- (i) What is meant by a *subsistence farmer*?

.....
.....[1]

- (ii) Explain why irrigation increases the yield of crops.

.....
.....
.....
.....[2]

(iii) Explain why the methods of irrigation shown in Fig. 5.1 are suitable to use in LEDCs.

.....
.....
.....
.....
.....
.....
.....[3]

(iv) Describe **four** other methods which farmers can use to increase the yield of crops.

1
.....
2
.....
3
.....
4
.....[4]

6 (a) Study Fig. 6.1 (Insert), which shows information about sources of electricity in Mexico (an LEDC).

(i) State the number of nuclear power stations in Mexico.

..... [1]

(ii) Using Fig. 6.1 **only**, name **one** renewable and **one** non-renewable source of electricity in Mexico.

– renewable

– non-renewable[2]

(iii) Compare the importance of different sources of electricity in the states of Sonora and Sinaloa.

.....
.....
.....
.....
.....
.....
.....[3]

(iv) Suggest reasons why some parts of Mexico are able to generate large amounts of electricity from hydro-electric power (HEP).

.....
.....
.....
.....
.....
.....
.....
.....
.....
.....
.....[4]

(b) Study Fig. 6.2, which shows information about natural gas pipelines in Mexico.

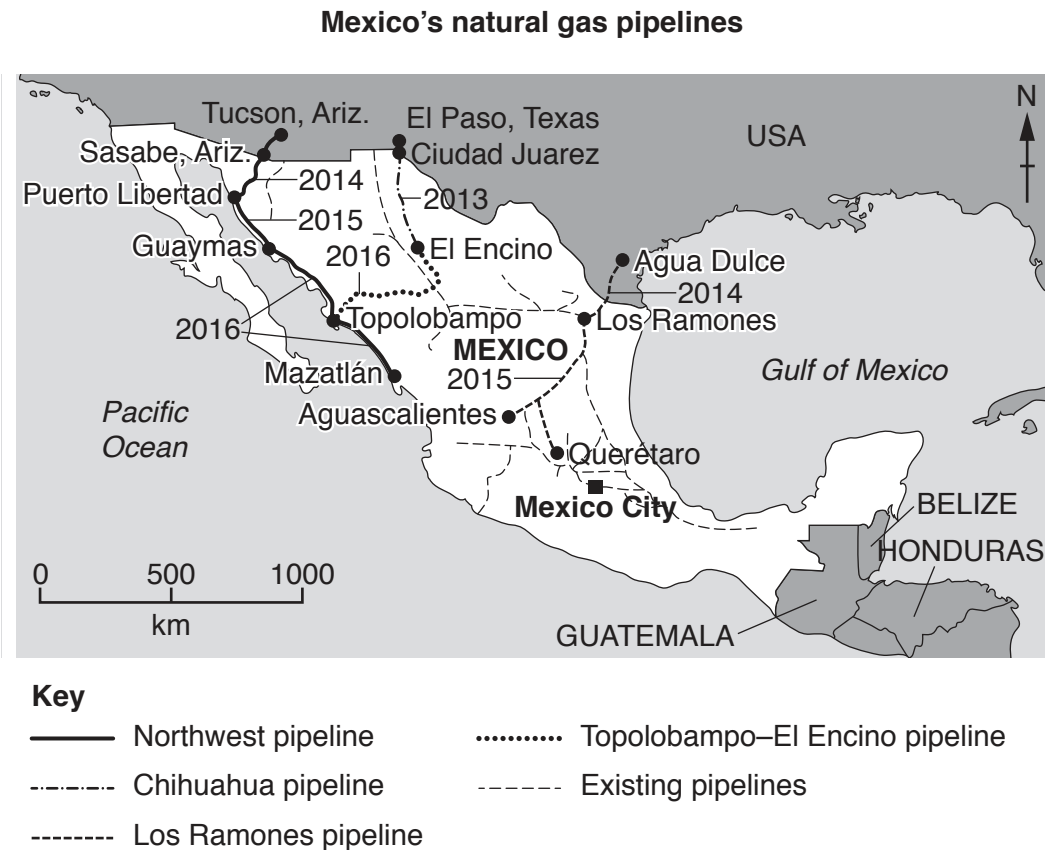


Fig. 6.2

(i) Name and describe the route of any one natural gas pipeline between the USA and Mexico.

Name

Description of route

.....

 [3]

BLANK PAGE

Permission to reproduce items where third-party owned material protected by copyright is included has been sought and cleared where possible. Every reasonable effort has been made by the publisher (UCLES) to trace copyright holders, but if any items requiring clearance have unwittingly been included, the publisher will be pleased to make amends at the earliest possible opportunity.

To avoid the issue of disclosure of answer-related information to candidates, all copyright acknowledgements are reproduced online in the Cambridge Assessment International Education Copyright Acknowledgements Booklet. This is produced for each series of examinations and is freely available to download at www.cambridgeinternational.org after the live examination series.

Cambridge Assessment International Education is part of the Cambridge Assessment Group. Cambridge Assessment is the brand name of the University of Cambridge Local Examinations Syndicate (UCLES), which itself is a department of the University of Cambridge.